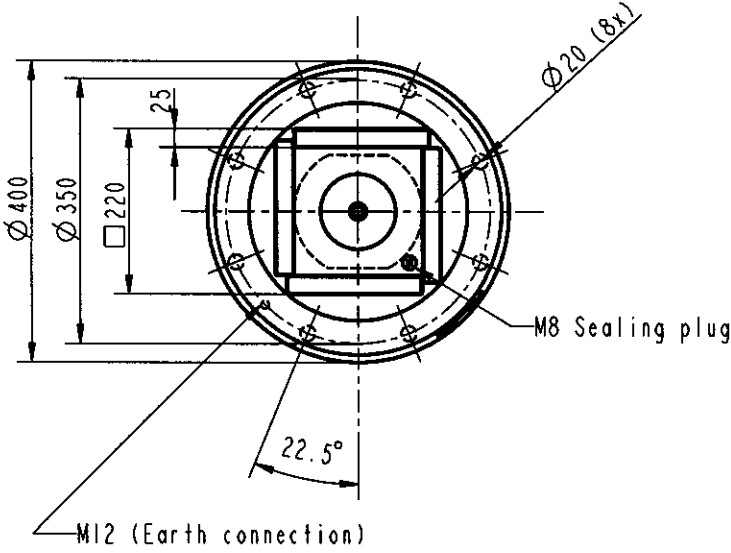
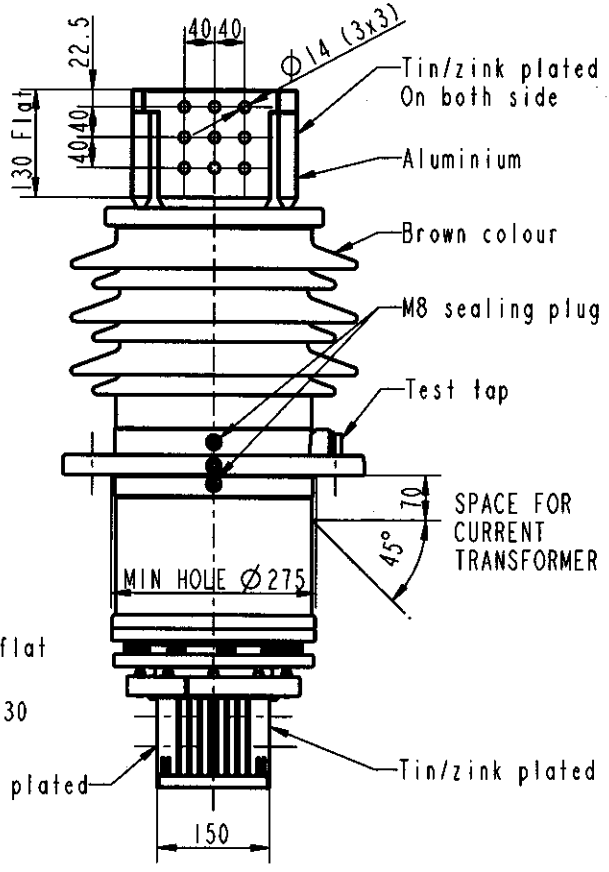
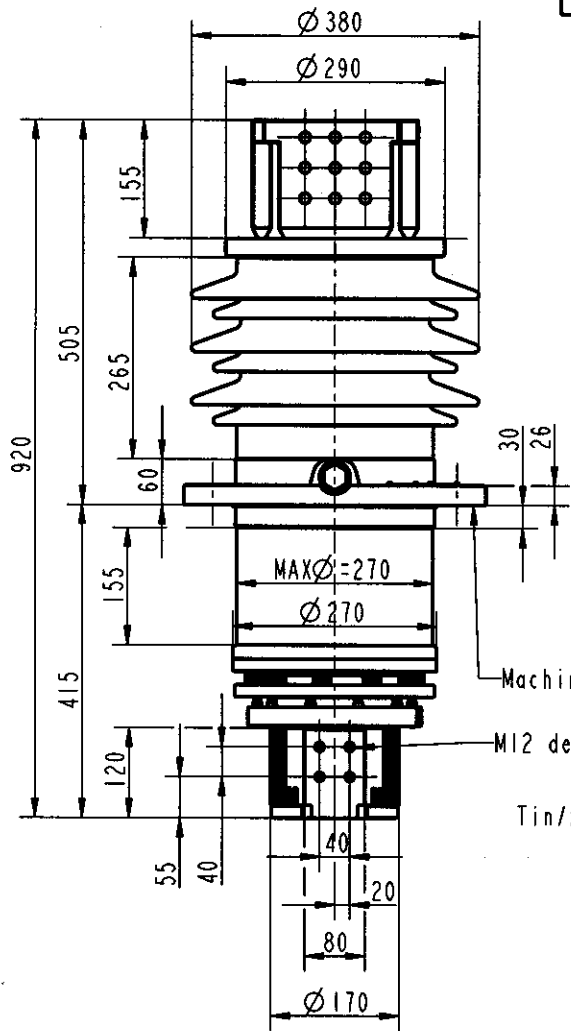


Rev Ind	Revision	Appd	Date
1	REDRAWN	ER ER	00 17



RATING	IEC	ANSI
RATED VOLTAGE (KV)	36	-
PHASE TO GROUND MAX. (kV)	36	22
POWER FREQUENCY WET (kV)	70	75
POWER FREQUENCY DRY (kV)	70	80
LIGHTNING IMPULSE (kV)	170	200
INSULATION CLASS (kV)	-	34.5
CURRENT CARRYING CAPACITY ACC. TO B COM 1002E		
CREEPAGE DISTANCE 760 mm		
MASS 100 kg		
CATALOGUE NUMBER LF 126 007-A		

We reserve all rights in this document and in the information contained therein. Reproduction, use or disclosure to third parties without express authority is strictly forbidden. ©ABB

Inspection engineering review	Production engineering review	Based on	Reg. No.	Title	
Design engineering review	HOLMSTRÖM	Prepared JANSSON	Responsible department COM/KB 91 40	BUSHING GOH 170-10	
		Approved HEYMAN	Take over department	GENOMFÖRING GOH 170-10	
		Revision	Database		Language 82
<b>ABB</b> ABB Components				Document No.	2751312-15
					Page 1(1)